

5 Volt-Surface Mount

# Monolithic Amplifier

DC-6 GHz

## Product Features

- Gain, 10 dB typ.
- High Pout, P1dB 19.5 dBm typ.
- High IP3, 41 dBm typ. at 1 GHz
- Ruggedized design
- Fixed 5V operation
- Unconditionally stable
- Excellent ESD Protection
- Transient protected, US patent 6,943,629



## GVA-81+

CASE STYLE: DF782

**+RoHS Compliant**

The +Suffix identifies RoHS Compliance. See our web site for RoHS Compliance methodologies and qualifications

## Typical Applications

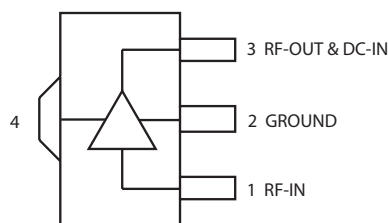
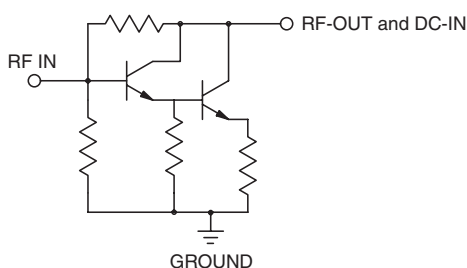
- Base station infrastructure
- Portable Wireless
- CATV & DBS
- MMDS & Wireless LAN
- LTE

**LTE Performance**

## General Description

GVA-81+ (RoHS compliant) is a wideband amplifier offering high dynamic range. Lead finish is SnAgNi. It has repeatable performance from lot to lot and is enclosed in a SOT-89 package. It uses patented Transient Protected Darlington configuration and is fabricated using InGaP HBT technology.

## simplified schematic and pin description



Function	Pin Number	Description
RF IN	1	RF input pin. This pin requires the use of an external DC blocking capacitor chosen for the frequency of operation.
RF-OUT and DC-IN	3	RF output and bias pin. DC voltage is present on this pin; therefore a DC blocking capacitor is necessary for proper operation. An RF choke is needed to feed DC bias without loss of RF signal due to the bias connection, as shown in "Recommended Application Circuit", Fig. 2
GND	2,4	Connections to ground. Use via holes as shown in "Suggested Layout for PCB Design" to reduce ground path inductance for best performance.

### Notes

- A. Performance and quality attributes and conditions not expressly stated in this specification document are intended to be excluded and do not form a part of this specification document.  
B. Electrical specifications and performance data contained in this specification document are based on Mini-Circuit's applicable established test performance criteria and measurement instructions.  
C. The parts covered by this specification document are subject to Mini-Circuits' standard limited warranty and terms and conditions (collectively, "Standard Terms"); Purchasers of this part are entitled to the rights and benefits contained therein. For a full statement of the Standard Terms and the exclusive rights and remedies thereunder, please visit Mini-Circuits' website at [www.minicircuits.com/MCLStore/terms.jsp](http://www.minicircuits.com/MCLStore/terms.jsp)



**Electrical Specifications<sup>(1)</sup> at 25°C and 5V, unless noted**

Parameter	Condition (GHz)	Min.	Typ.	Max.	Units
Frequency Range <sup>(2)</sup>		DC		6	GHz
Gain	0.1	9.5	10.5	11.5	dB
	1.0	—	10.5	—	
	2.0	9.0	10.0	11.0	
	3.0	—	9.3	—	
	4.0	8.0	8.7	10.0	
	6.0	—	8.1	—	
Magnitude of Gain Variation versus Temperature <sup>(3)</sup> (values are negative)	0.1	—	0.0005	—	dB/°C
	1.0	—	0.0010	—	
	2.0	—	0.0016	0.005	
	3.0	—	0.0020	—	
	4.0	—	0.0025	—	
	6.0	—	0.0036	—	
Input Return Loss	0.1	—	38.0	—	dB
	1.0	—	27.0	—	
	2.0	17	20.1	—	
	3.0	—	17.4	—	
	4.0	—	16.9	—	
	6.0	—	18.5	—	
Output Return Loss	0.1	—	21.4	—	dB
	1.0	—	20.6	—	
	2.0	14	17.4	—	
	3.0	—	14.5	—	
	4.0	—	13.1	—	
	6.0	—	14.8	—	
Reverse Isolation	2.0		20.8		dB
Output Power @ 1 dB compression	0.1	18.0	19.1	—	dBm
	1.0	18.0	19.1	—	
	2.0	18.0	19.7	—	
	3.0	—	20.0	—	
	4.0	—	19.4	—	
	6.0	—	17.7	—	
Output IP3	0.1	—	42.0	—	dBm
	1.0	—	41.3	—	
	2.0	34	36.6	—	
	3.0	—	35.0	—	
	4.0	—	33.2	—	
	6.0	—	31.1	—	
Noise Figure	0.1	—	7.3	7.9	dB
	1.0	—	7.3	—	
	2.0	—	7.4	7.9	
	3.0	—	7.6	—	
	4.0	—	7.7	8.2	
	6.0	—	8.3	—	
Group Delay	2.0		98		psec
Device Operating Voltage		4.8	5.0	5.2	V
Device Operating Current		94	103	112	mA
Device Current Variation vs. Temperature			62		µA/°C
Device Current Variation vs Voltage			0.036		mA/mV
Thermal Resistance, junction-to-ground lead			68		°C/W

<sup>(1)</sup> Measured on Mini-Circuits test board TB-313. See Characterization Test Circuit (Fig. 1)

<sup>(2)</sup> Guaranteed specification DC~7 GHz. \*Low frequency cut off determined by external coupling capacitors and RF Choke (RFC).

<sup>(3)</sup> (Gain at 85°C, Gain at -45°C)/130

**Notes**

- A. Performance and quality attributes and conditions not expressly stated in this specification document are intended to be excluded and do not form a part of this specification document.
- B. Electrical specifications and performance data contained in this specification document are based on Mini-Circuit's applicable established test performance criteria and measurement instructions.
- C. The parts covered by this specification document are subject to Mini-Circuits standard limited warranty and terms and conditions (collectively, "Standard Terms"); Purchasers of this part are entitled to the rights and benefits contained therein. For a full statement of the Standard Terms and the exclusive rights and remedies thereunder, please visit Mini-Circuits' website at [www.minicircuits.com/MCLStore/terms.jsp](http://www.minicircuits.com/MCLStore/terms.jsp)

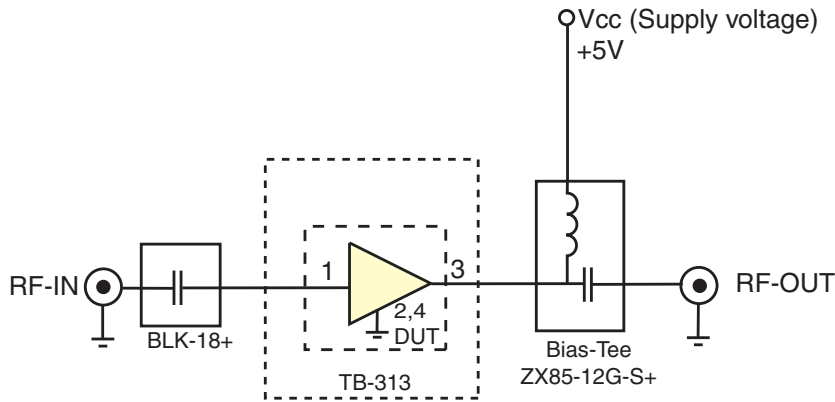


**Absolute Maximum Ratings**

Parameter	Ratings
Operating Temperature (ground lead)	-40°C to 85°C
Storage Temperature	-65°C to 150°C
Operating Current at 5V	160mA
Power Dissipation	0.855W
Input Power	13dBm
DC Voltage on Pin 3	5.9V

Note:  
 Permanent damage may occur if any of these limits are exceeded.  
 Electrical maximum ratings are not intended for continuous normal operation.

**Characterization Test Circuit**

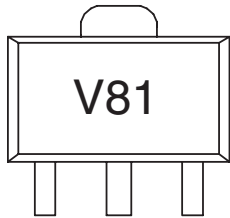


**Fig 1.** Block Diagram of Test Circuit used for characterization. (DUT soldered on Mini-Circuits Test Board TB-313)  
 Gain, Output power at 1dB compression (P1 dB) and output IP3 (OIP3) are measured using R&S Network Analyzer ZVA-24.  
 Noise Figure measured using Agilent’s N5242A PNA-X microwave network analyzer.

- Conditions:**
1. Gain and Return loss: Pin= -25dBm
  2. Output IP3 (OIP3): Two tones, spaced 1 MHz apart, 0 dBm/tone at output.

**Notes**  
 A. Performance and quality attributes and conditions not expressly stated in this specification document are intended to be excluded and do not form a part of this specification document.  
 B. Electrical specifications and performance data contained in this specification document are based on Mini-Circuit’s applicable established test performance criteria and measurement instructions.  
 C. The parts covered by this specification document are subject to Mini-Circuits standard limited warranty and terms and conditions (collectively, “Standard Terms”); Purchasers of this part are entitled to the rights and benefits contained therein. For a full statement of the Standard Terms and the exclusive rights and remedies thereunder, please visit Mini-Circuits’ website at [www.minicircuits.com/MCLStore/terms.jsp](http://www.minicircuits.com/MCLStore/terms.jsp)

**Product Marking**



Marking may contain other features or characters for internal lot control

**Additional Detailed Technical Information**

Additional information is available on our web site. To access this information enter the model number on our web site home page.

**Performance data, graphs, s-parameter (S2P FILES) data set (.zip file)**

**Case Style: DF782 (SOT 89)**

Plastic package, exposed paddle, lead finish: tin-silver over nickel

**Tape & Reel: F55**

7" Reels with 20, 50, 100, 200, 500, 1K devices

**Suggested Layout for PCB Design: PL-255**

**Evaluation Board: TB-410-81+**

**Environmental Ratings: ENV08T1**

**Recommended Application Circuit**

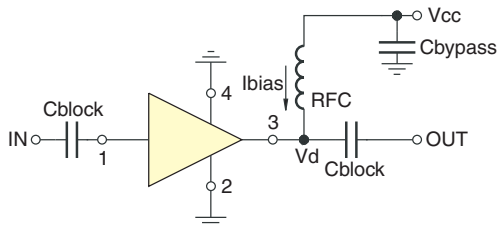


Fig 2. Test Board includes case, connectors, and components soldered to PCB

**Notes**

- A. Performance and quality attributes and conditions not expressly stated in this specification document are intended to be excluded and do not form a part of this specification document.
- B. Electrical specifications and performance data contained in this specification document are based on Mini-Circuit's applicable established test performance criteria and measurement instructions.
- C. The parts covered by this specification document are subject to Mini-Circuits standard limited warranty and terms and conditions (collectively, "Standard Terms"); Purchasers of this part are entitled to the rights and benefits contained therein. For a full statement of the Standard Terms and the exclusive rights and remedies thereunder, please visit Mini-Circuits' website at [www.minicircuits.com/MCLStore/terms.jsp](http://www.minicircuits.com/MCLStore/terms.jsp)



**ESD Rating**

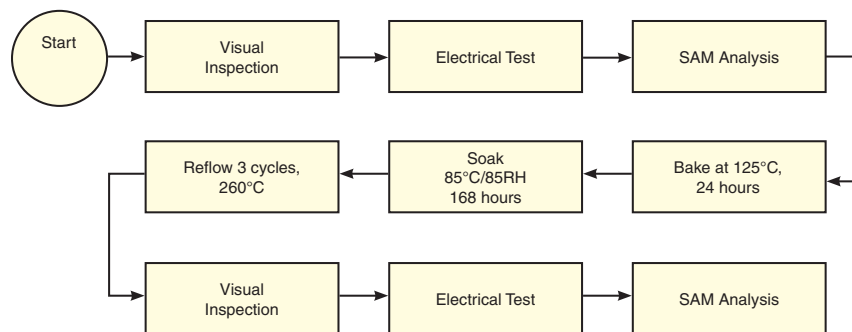
Human Body Model (HBM): Class 1C (1000v to < 2000v) in accordance with ANSI/ESD STM 5.1 - 2001

Machine Model (MM): Class M2 (100V to < 200V) in accordance with ANSI/ESD STM 5.2 - 1999

**MSL Rating**

Moisture Sensitivity: MSL1 in accordance with IPC/JEDECJ-STD-020D

**MSL Test Flow Chart**



**Notes**

- A. Performance and quality attributes and conditions not expressly stated in this specification document are intended to be excluded and do not form a part of this specification document.
- B. Electrical specifications and performance data contained in this specification document are based on Mini-Circuit's applicable established test performance criteria and measurement instructions.
- C. The parts covered by this specification document are subject to Mini-Circuits standard limited warranty and terms and conditions (collectively, "Standard Terms"); Purchasers of this part are entitled to the rights and benefits contained therein. For a full statement of the Standard Terms and the exclusive rights and remedies thereunder, please visit Mini-Circuits' website at [www.minicircuits.com/MCLStore/terms.jsp](http://www.minicircuits.com/MCLStore/terms.jsp)

